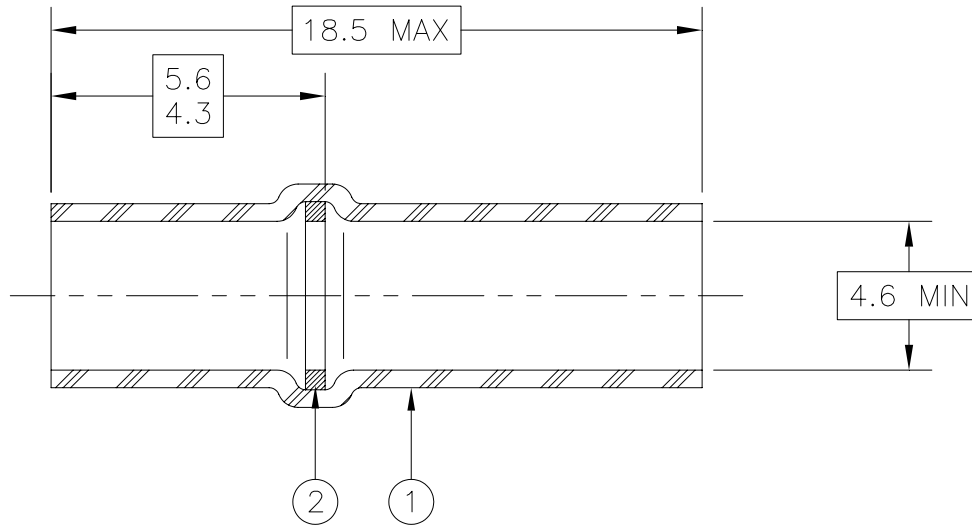


## CUSTOMER DRAWING



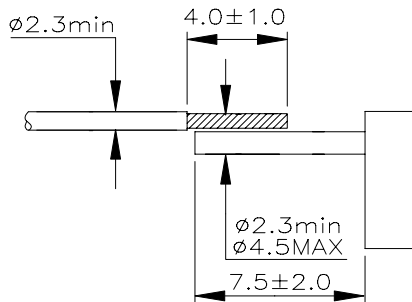
### MATERIALS

1. INSULATION SLEEVE: Heat-shrinkable, transparent clear, radiation cross-linked modified polyolefin.
2. SOLDER PREFORM WITH FLUX:
  - SOLDER: TYPE Sn42Bi58 per ANSI-J-STD-006.
  - FLUX: TYPE ROM1 per ANSI-J-STD-004.

### APPLICATION

1. These controlled soldering devices are designed for termination of a wire to the lead of electrical component or to the terminal of a connector.
2. Temperature range: -55°C to +125°C. For installation procedure and application equipment, consult RPIP-824-00 or H54286.

For best results, prepare the wire as shown:



		Tyco Electronics 300 Constitution Dr Menlo Park, CA 94025, U.S.A.		TITLE: <b>SOLDERSLEEVE ONE STEP WIRE TERMINATOR                  LOW TEMPERATURE, LEAD FREE</b>		
		Unless otherwise specified dimensions are in millimeters. [Inches dimensions are shown in brackets]		Raychem Devices		DOCUMENT NO.: <b>B-155-9101</b>
TOLERANCES: 0.00 N/A 0.0 N/A 0 N/A	ANGLES: N/A ROUGHNESS IN MICRON	Tyco Electronics reserves the right to amend this drawing at any time. Users should evaluate the suitability of the product for their application.			REV: <b>A</b>	DATE: <b>8-Jun-07</b>
DRAWN BY: <b>P.TALLY</b>	CAGE CODE: <b>06090</b>	REPLACES: ---	ECO NUMBER: <b>07-013637</b>	SCALE: <b>NTS</b>	SIZE: <b>A</b>	SHEET: <b>1 of 1</b>